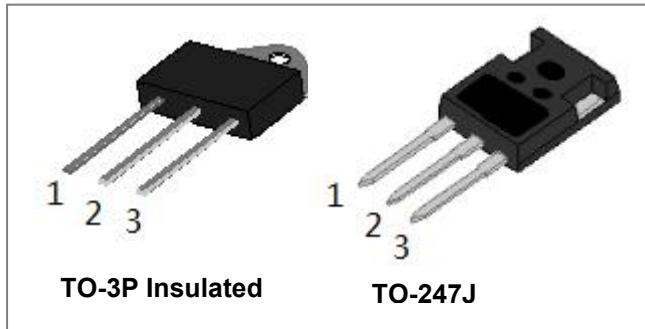
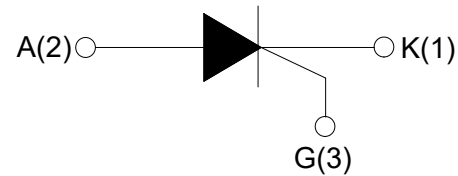


SCT1655Z/SJ 55A SCRs



Circuit Diagram



Description

With high ability to withstand the shock loading of large current, SCT1655 SCRs provide high dv/dt rate with strong resistance to electromagnetic interference. They are especially recommended for use on solid state relay, motorcycle, power charger, T-tools etc.

Maximum Ratings:

Characteristics	Symbol	Condition	Max.	Units
Storage junction temperature range	T_J	-	-40-150	°C
Operating junction temperature range	T_{stg}	-	-40-125	°C
Repetitive peak off-state voltage($T_J=25^\circ\text{C}$)	V_{DRM}	-	1600	V
Repetitive peak reverse voltage($T_J=25^\circ\text{C}$)	V_{RRM}	-	1600	V
Average on-state current	$I_{T(AV)}$	TO-3P Ins ($T_C=80^\circ\text{C}$) TO-247J($T_C=85^\circ\text{C}$)	35	A
RMS on-state current	$I_{T(RMS)}$	TO-3P Ins ($T_C=80^\circ\text{C}$) TO-247J($T_C=85^\circ\text{C}$)	55	A
Non repetitive surge peak on-state current ($t_p=10\text{ms}$)	I_{TSM}	-	550	A
I^2t value for fusing ($t_p=10\text{ms}$)	I^2t	-	1500	A ² s
Critical rate of rise of on-state current ($I_G=2 \times I_{GT}$)	di/dt	-	150	A/ μs
Peak gate current	I_{GM}	-	5	A
Peak gate power	P_{GM}	-	10	W
Average gate power dissipation ($T_J=125^\circ\text{C}$)	$P_{G(AV)}$	-	1	W

Electrical Characteristics (T_j=25°C unless otherwise specified)

Symbol	Test Condition	Value			Unit
		MIN.	TYP.	MAX.	
I _{GT}	V _D =12V R _L =30Ω	20	-	70	mA
V _{GT}		-	-	1.5	V
V _{GD}	V _D =V _{DRM} T _j =125°C	0.25	-	-	V
I _L	I _G =1.2 I _{GT}	-	-	250	mA
I _H	I _T =1A	-	-	200	mA
dV/dt	V _D =2/3V _{DRM} T _j =125°C Gate Open	1000	-	-	V/μs

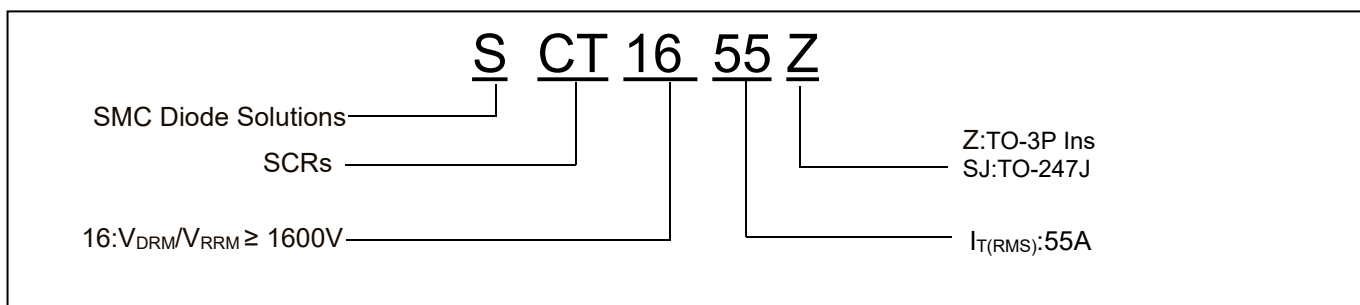
Static Characteristics

Symbol	Condition	Max.	Units
V _{TM}	I _{TM} =80A t _p =380μs, T _j =25°C	1.8	V
I _{DRM}	V _D =V _{DRM} V _R =V _{RRM} , T _j =25°C	10	μA
I _{RRM}	V _D =V _{DRM} V _R =V _{RRM} , T _j =125°C	8	mA

Thermal Resistances

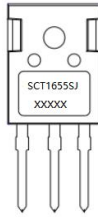
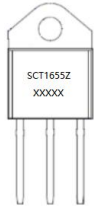
Symbol	Condition	Value	Units
R _{th(j-c)}	Junction to case(AC)	TO-3P Ins	0.65
		TO-247J	0.6

Ordering Information



Device	Package	Shipping
SCT1655Z	TO-3P Ins	30pcs/ Tube
SCT1655SJ	TO-247J	30pcs/ Tube

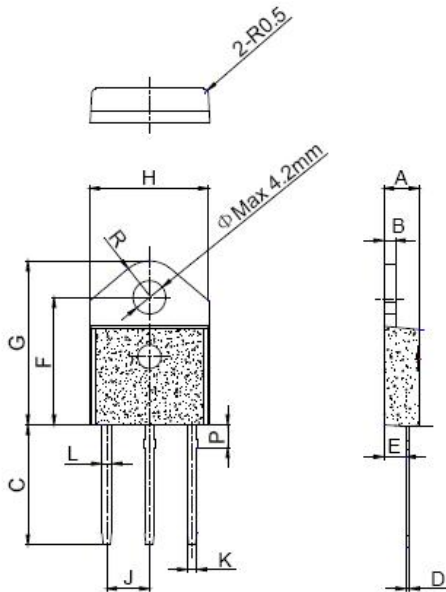
Marking Diagram



Where XXXXX is YYWWL

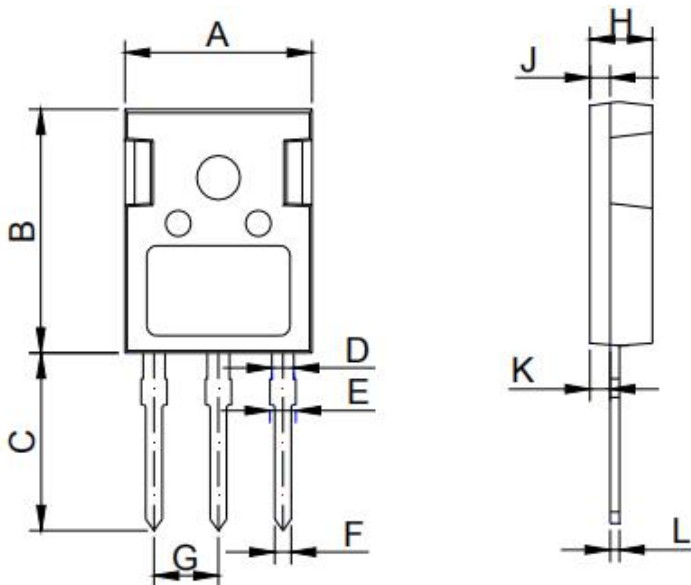
SCT1655Z = Part name
SCT1655SJ = Part name
YY = Year
WW = Week
L = Lot Number

Mechanical Dimensions TO-3P(Ins)



SYMBOL	Millimeters			Inches		
	Min.	Typ.	Max.	Min.	Typ.	Max.
A	4.40		4.60	0.173		0.181
B	1.45		1.55	0.057		0.061
C	14.35		15.60	0.565		0.614
D	0.50		0.70	0.020		0.028
E	2.70		2.90	0.106		0.114
F	15.80		16.50	0.622		0.650
G	20.40		21.10	0.803		0.831
H	15.10		15.50	0.594		0.610
J	5.40		5.65	0.213		0.222
K	1.10		1.40	0.043		0.055
L	1.35		1.50	0.053		0.059
P	2.80		3.00	0.110		0.118
R		4.35			0.171	

Mechanical Dimensions TO-247J



SYMBOL	Millimeters			Inches		
	Min.	Typ.	Max.	Min.	Typ.	Max.
A	15.50	15.80	16.10	0.610	0.622	0.634
B	20.80	21.00	22.20	0.819	0.828	0.874
C	19.70	20.00	20.30	0.776	0.787	0.799
D	1.80	2.00	2.20	0.071	0.079	0.087
E	1.90	2.10	2.30	0.075	0.083	0.091
F	1.00	1.20	1.40	0.039	0.047	0.055
G		5.44			0.214	
H	4.80	5.00	5.20	0.189	0.197	0.205
J	1.90	2.00	2.10	0.075	0.079	0.083
K	2.20	2.35	2.50	0.087	0.093	0.098
L	0.41	0.60	0.79	0.016	0.024	0.031

Ratings and Characteristics Curves

FIG.1 Maximum power dissipation versus RMS on-state current

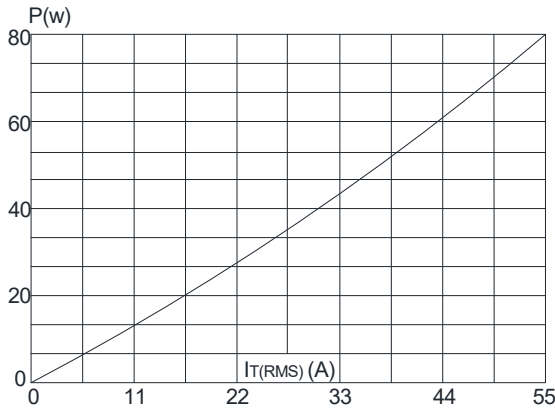


FIG.2: RMS on-state current versus case temperature

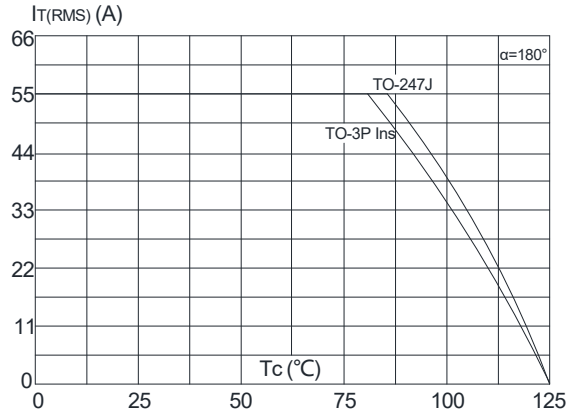


FIG.3: Surge peak on-state current versus number of cycles

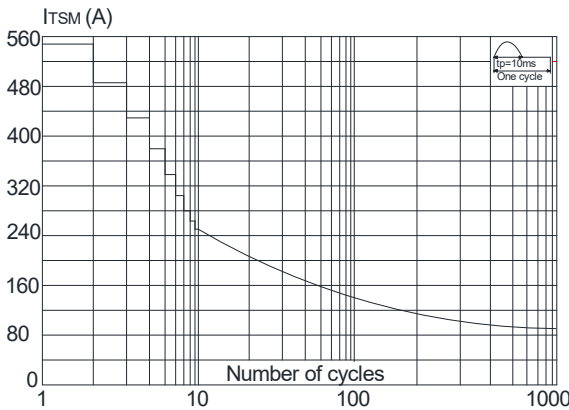


FIG.4: On-state characteristics (maximum values)

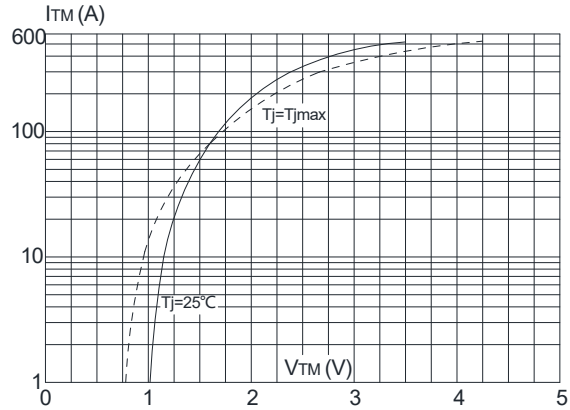


FIG.5: Non-repetitive surge peak on-state current for a sinusoidal pulse with width $t_p < 10\text{ms}$, and corresponding value of I^2t ($di/dt < 150\text{A}/\mu\text{s}$)

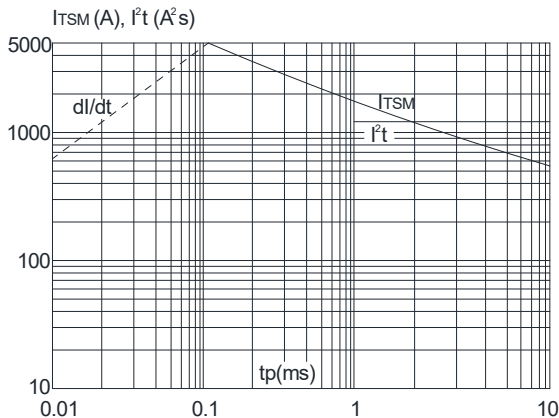
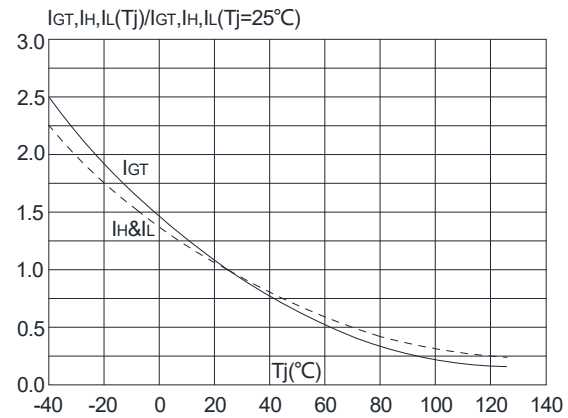


FIG.6: Relative variations of gate trigger current, holding current and latching current versus junction temperature





DISCLAIMER:

- 1- The information given herein, including the specifications and dimensions, is subject to change without prior notice to improve product characteristics. Before ordering, purchasers are advised to contact the SMC Diode Solutions sales department for the latest version of the datasheet(s).
- 2- In cases where extremely high reliability is required (such as use in nuclear power control, aerospace and aviation, traffic equipment, medical equipment, and safety equipment), safety should be ensured by using semiconductor devices that feature assured safety or by means of users' fail-safe precautions or other arrangement.
- 3- In no event shall SMC Diode Solutions be liable for any damages that may result from an accident or any other cause during operation of the user's units according to the datasheet(s). SMC Diode Solution assumes no responsibility for any intellectual property claims or any other problems that may result from applications of information, products or circuits described in the datasheets.
- 4- In no event shall SMC Diode Solutions be liable for any failure in a semiconductor device or any secondary damage resulting from use at a value exceeding the absolute maximum rating.
- 5- No license is granted by the datasheet(s) under any patents or other rights of any third party or SMC Diode Solutions.
- 6- The datasheet(s) may not be reproduced or duplicated, in any form, in whole or part, without the expressed written permission of SMC Diode Solutions.
- 7- The products (technologies) described in the datasheet(s) are not to be provided to any party whose purpose in their application will hinder maintenance of international peace and safety nor are they to be applied to that purpose by their direct purchasers or any third party. When exporting these products (technologies), the necessary procedures are to be taken in accordance with related laws and regulations..